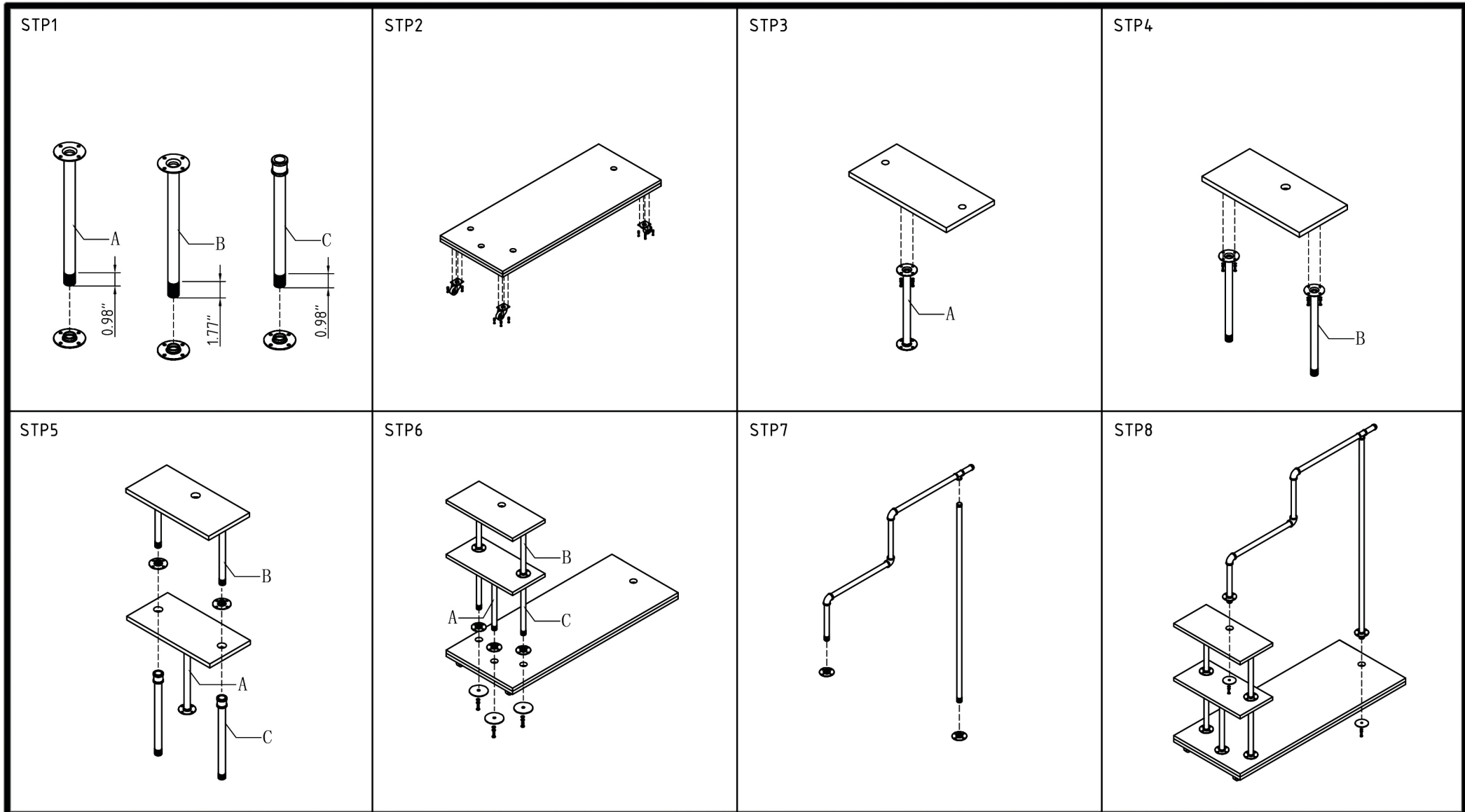


Pipeline- Two Tier Step Rack

PL-STEP



DAWSON JONES
.....
STORE FIXTURES



2960 Amwiler Rd.
Atlanta, Ga 30360
dawsonjones.com
(800) 418-1954
(770) 458-7234