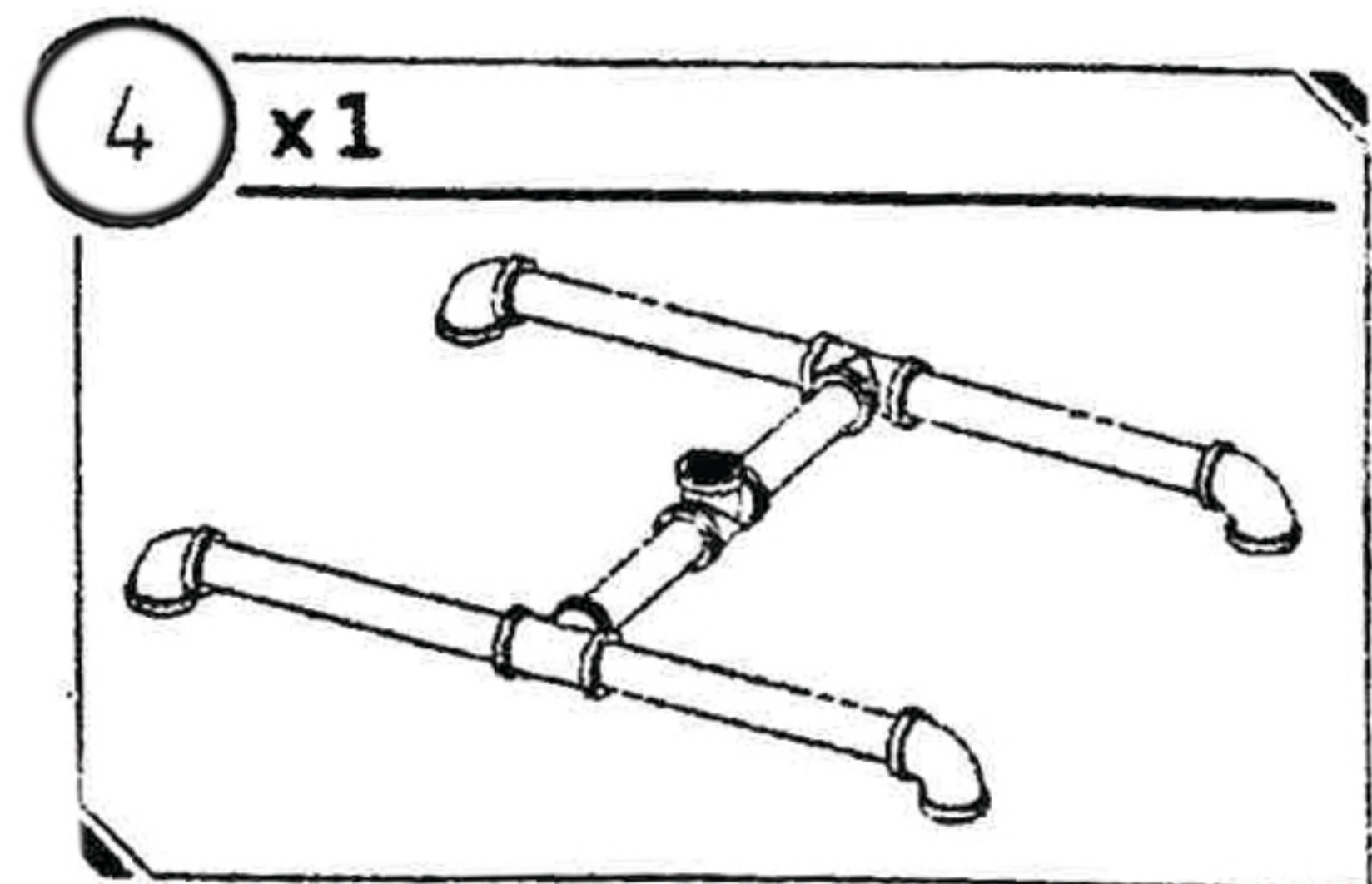
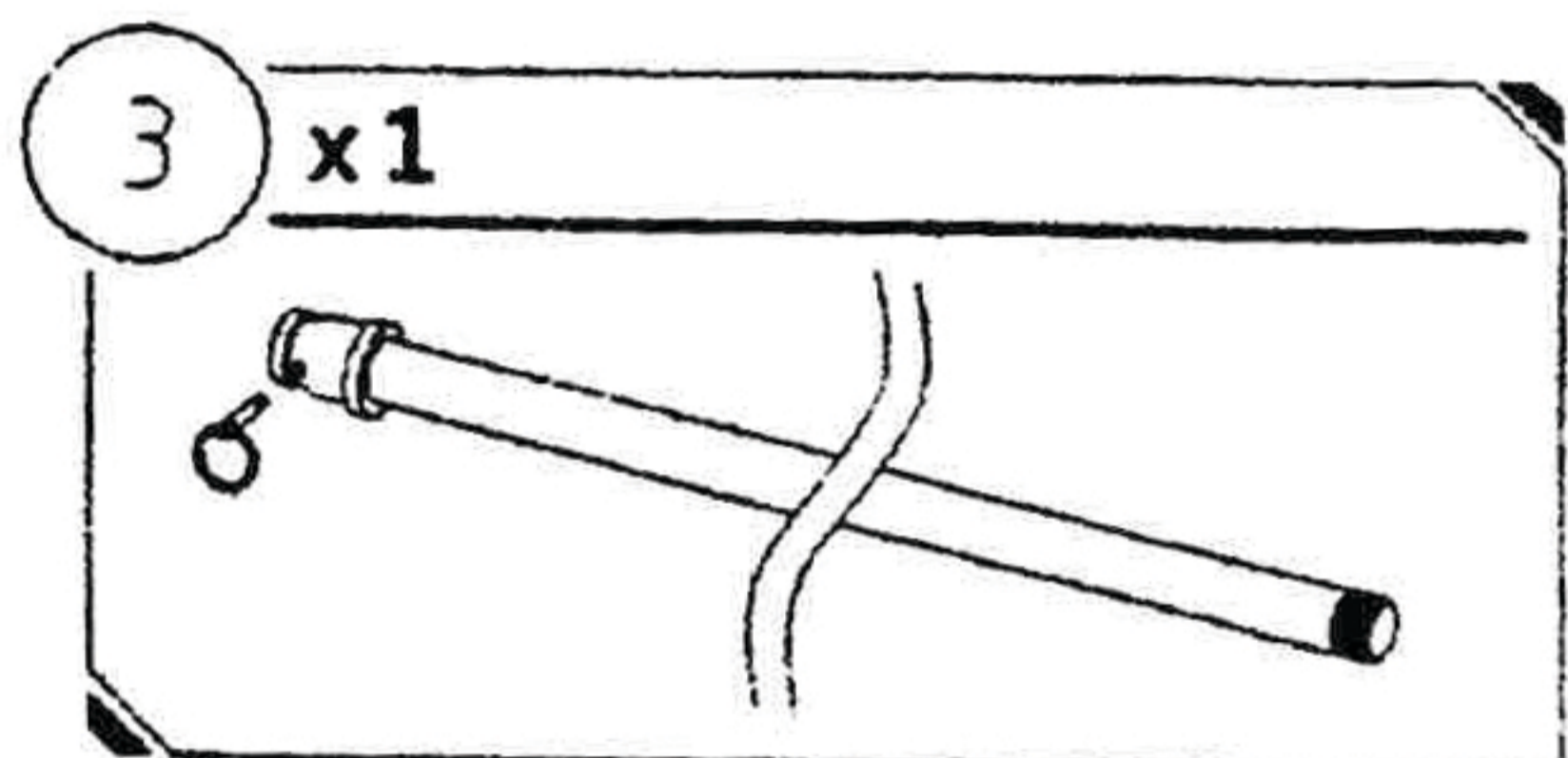
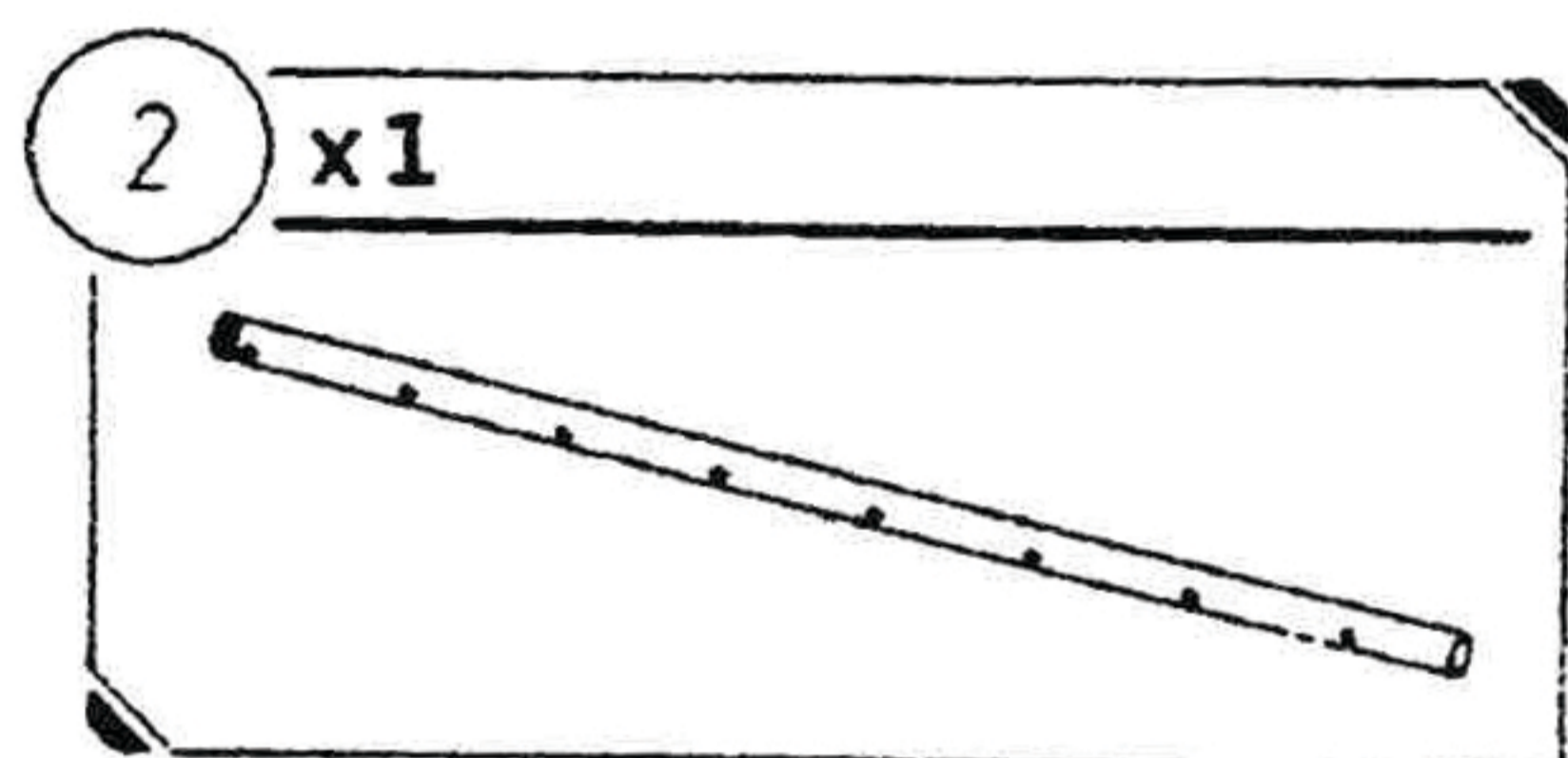
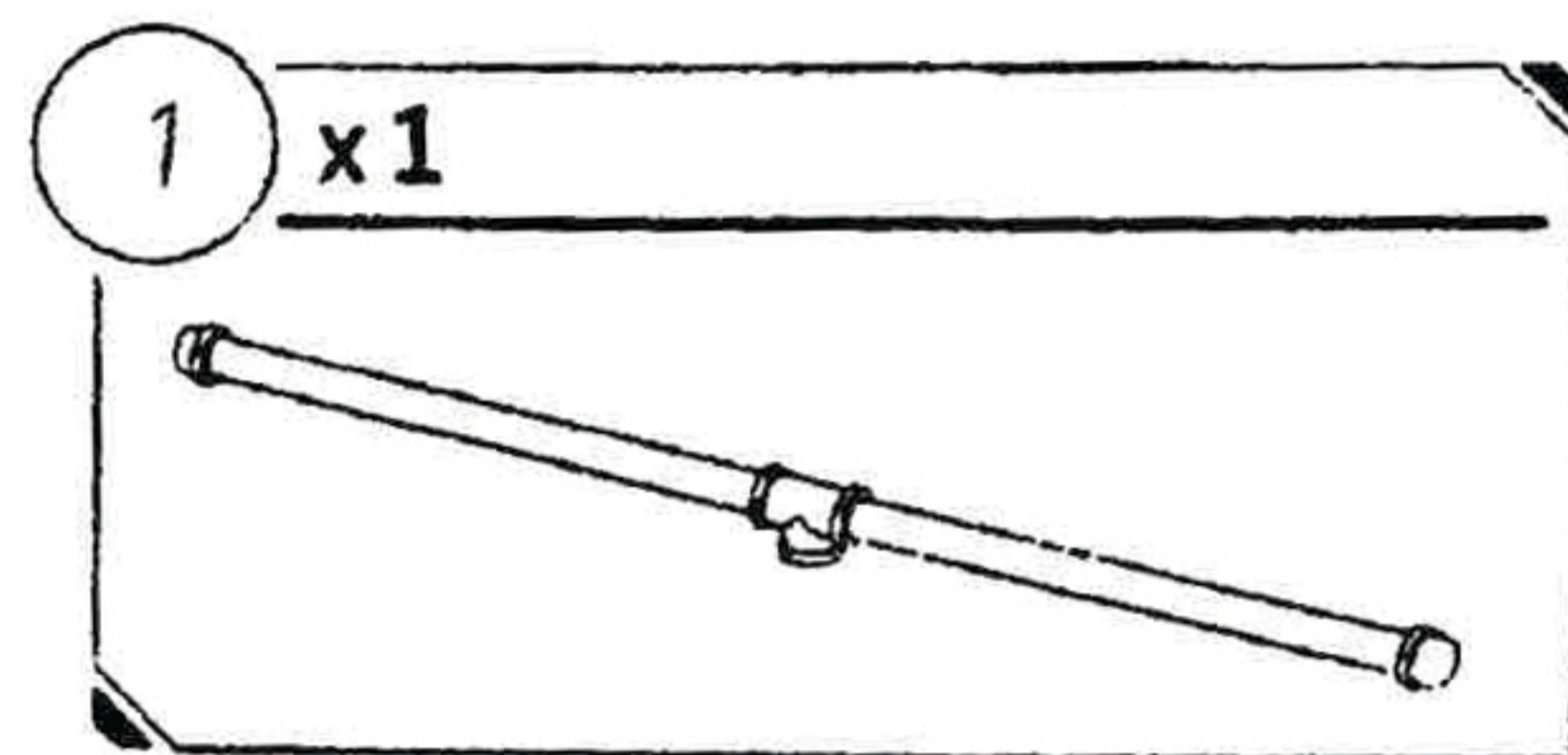
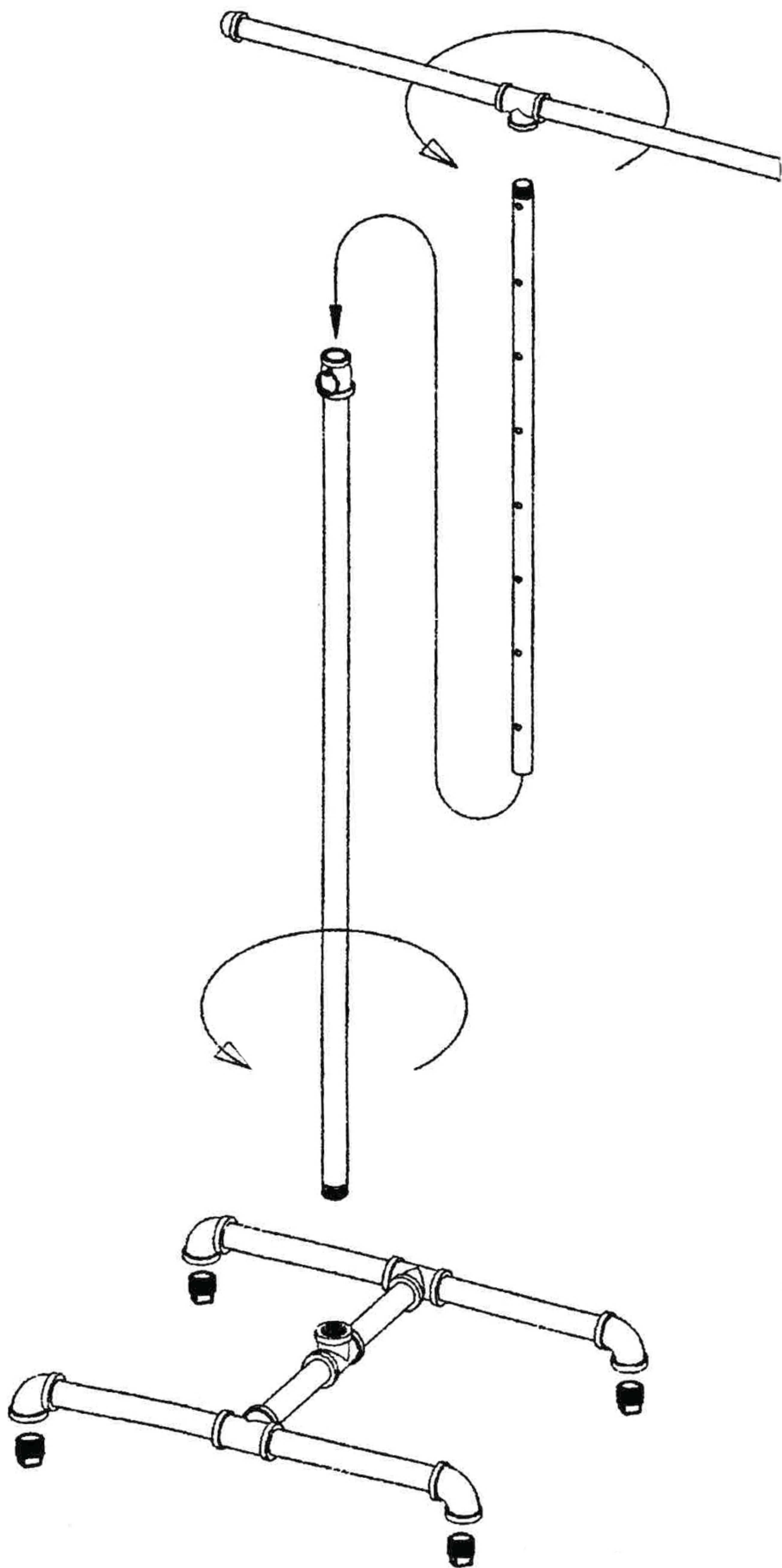


Pipeline- Two Way Rack Matte Black

SKU# PL-2WAY



DAWSON JONES
.....
STORE FIXTURES

2960 Amwiler Rd.
Atlanta, Ga 30360
dawsonjones.com
(800) 418-1954
(770) 458-7234