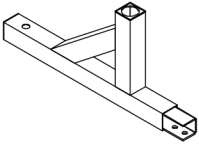
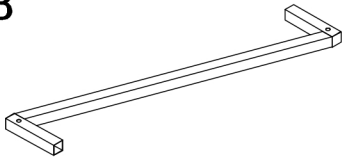
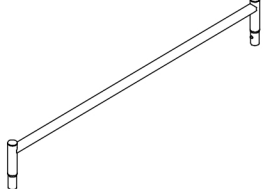
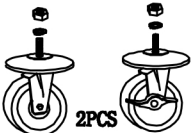
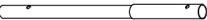
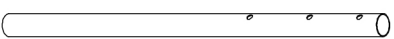
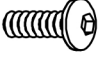





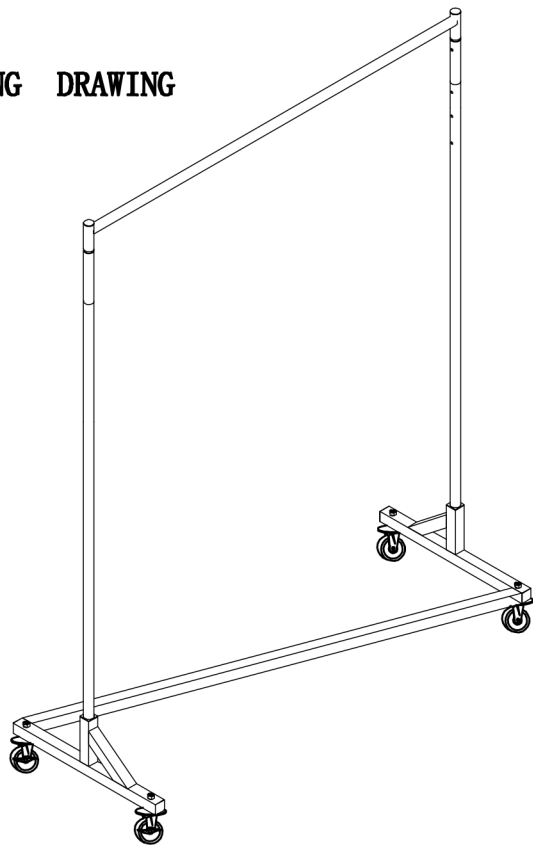


Z Rack

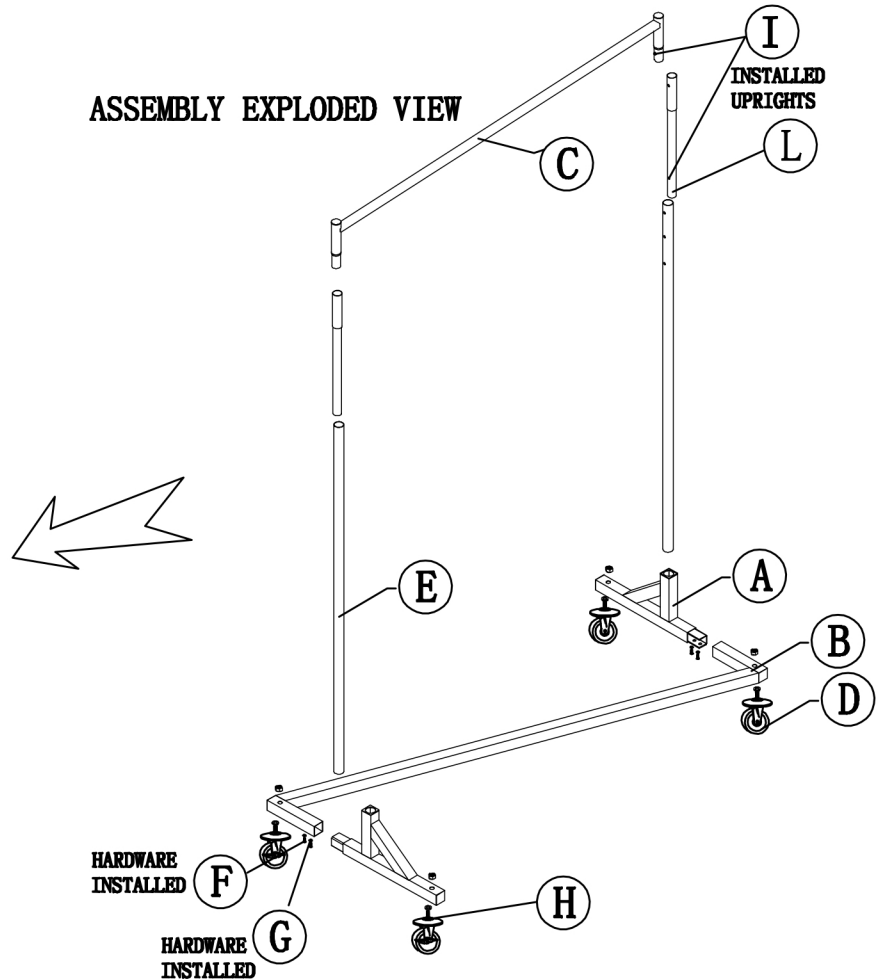
SKU# 01016OR, 01216BL

| | | | | | | |
|---|--|--|--|--|---|---|
| A  2PCS | B  1PCS | C  1PCS | D  2PCS 2PCS | L  2PCS | | |
| E  2PCS | F  4PCS HARDWARE INSTALLED | G  4PCS HARDWARE INSTALLED | H  4PCS | I  4PCS INSTALLED UPRIGHTS | J  1PCS | K  1PCS |

ASSEMBLING DRAWING



ASSEMBLY EXPLODED VIEW



DAWSON JONES
.....
STORE FIXTURES

2960 Amwiler Rd.
Atlanta, Ga 30360
dawsonjones.com
(800) 418-1954
(770) 458-7234